



Locks for  
narrow stiles



## Index

<b>SWINGING BOLT</b>	
• 4210B	4
• 4240	5
• 2270	5
<b>MULTIPOINT SECURITY</b>	
• 4230	6
• 4230 L/P	7
<b>CROSS KEY CYLINDER LOCKS</b>	
<b>SLIDING DEADBOLT</b>	
• 2210D	9
• 2200	10
• 2220	10
<b>PANIC LOCKS</b>	
• 2280	11
• 2282 / 2283	12
<b>ELECTRIC STRIKES</b>	
• MORTISE LOCK APPLICATIONS	13
• PANIC BAR APPLICATIONS	14
<b>SPECIAL STRIKES</b>	
	15

## Introduction

TESA has developed a trajectory distinguished by the firm compromise with quality, that has been confirmed when the company acquired the ISO9001 certification, in 1994; and later on, in 1999, being a European pioneer in this sector obtaining the ISO14001 environmental certification.



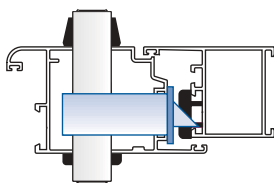
Very careful designing makes each of the models the ideal solution for the various types of aluminium stile profiles in the market.

The range covers the following: from 2200 and 2220 series for iron stiles to the swinging bolt series for channelled type aluminium stiles, with or without thermal isolation, and going through the 2210D sliding deadbolt series for conventional stiles and the 2250 for doors with a central strip.

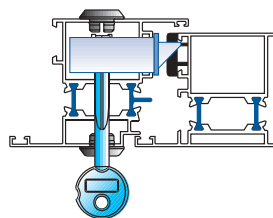
And whatever the type of stile to adapt the lock to, there is always a concrete model for the specific function required.

The electric strikes, the 2270 and 2241C for sliding doors, the cross key series and the panic locks for single or double leaf emergency doors complete the extensive TESA range of locks for narrow stiles.

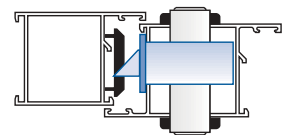
## Index of applications



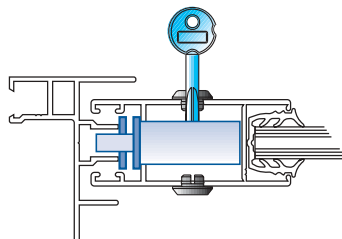
**Channelled aluminium stiles**  
Swinging bolt series - Pages 4 to 8/ ME



**Stiles with thermal isolation.**  
Swinging bolt series with cross key cylinder - Page 8/ ME



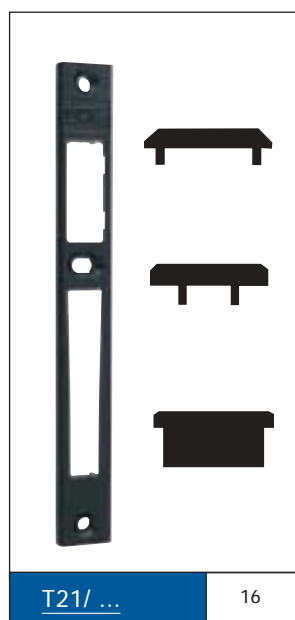
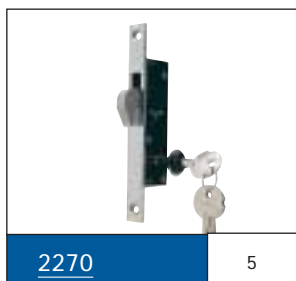
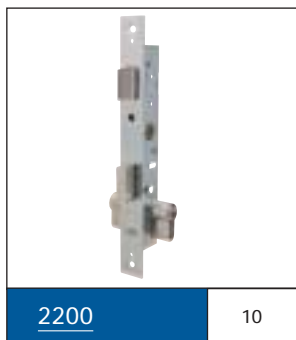
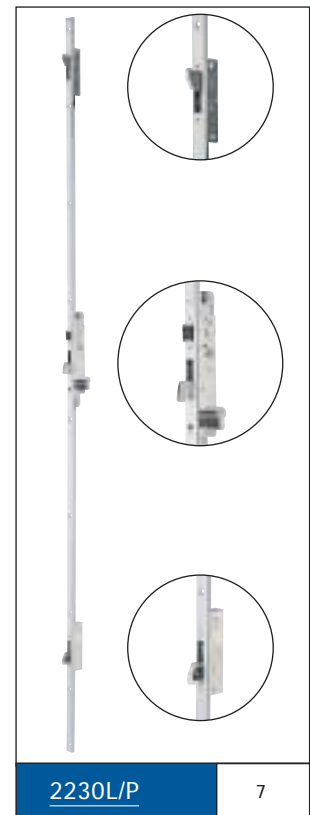
**Flat type**  
2210D sliding deadbolt - Page 9/ ME



**Sliding doors**  
2270 series - Page 5/ ME

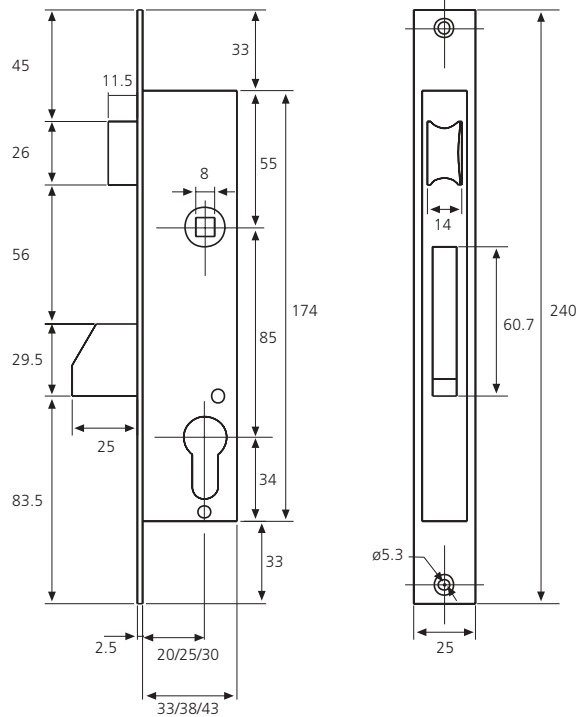


**Emergency exits**  
2280 series - Page 12/ ME



## Swinging bolt series

**TESA** 4210B series



Swinging bolt locks suitable for all kinds of aluminium stiles.

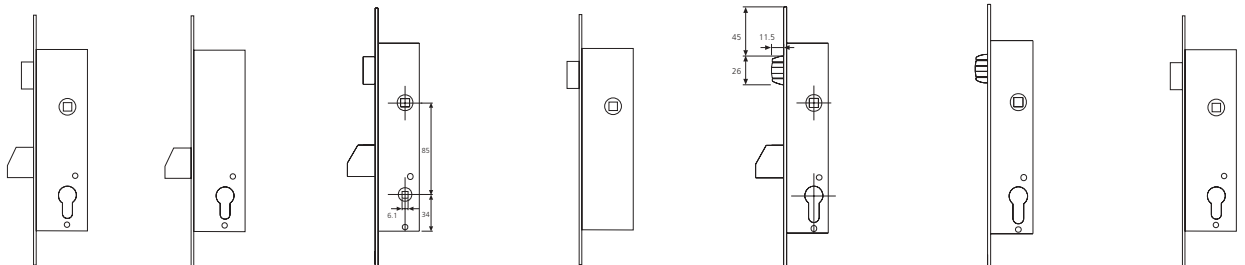
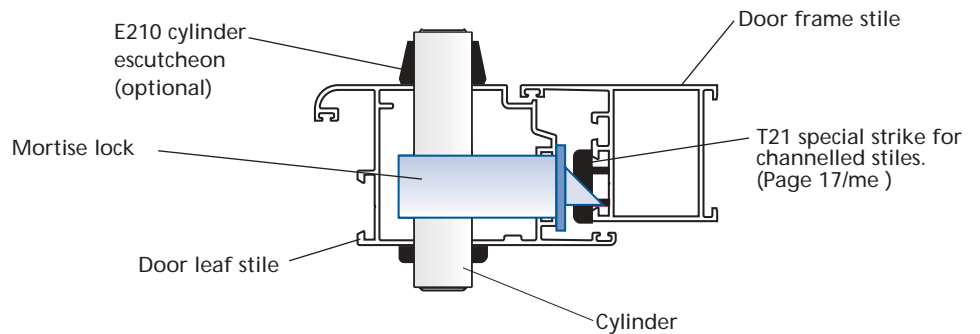
- Faceplate and strike plate made in AISI304 stainless steel.
- Nickel plated steel bolt with reinforced swinging mechanism. Bolt throw: 25mm.
- Nickel plated latch is reversible and can be retracted by handle or key.
- Three backsets available: 20, 25 and 30mm. Backset is measured from the faceplate interior to the cylinder & follower centre-line.
- Distance between centres: 85mm.
- Seven different functions available, see below.
- Two E-190 cylinder oval roses included. (E210 escutcheon can be ordered optionally).
- Also available Cross key cylinder version, (see page 8/ME).
- 4219 model is designed for use with half cylinder in the exterior and handle in the interior together with an electric strike.
- There is a complete range of special strikes for the existing types of aluminium stiles in the market. (See page 17/ME).

Application in channelled aluminium stiles.

1/20 units



E190



**4210**  
Entrance door.  
Latch+bolt.

**4211**  
Entrance door.  
Bolt only.

**2214**  
Latch + thumb-turn.

**2215**  
Pass door  
Latch only.

**4216**  
Double action entrance door.  
Roller + bolt.

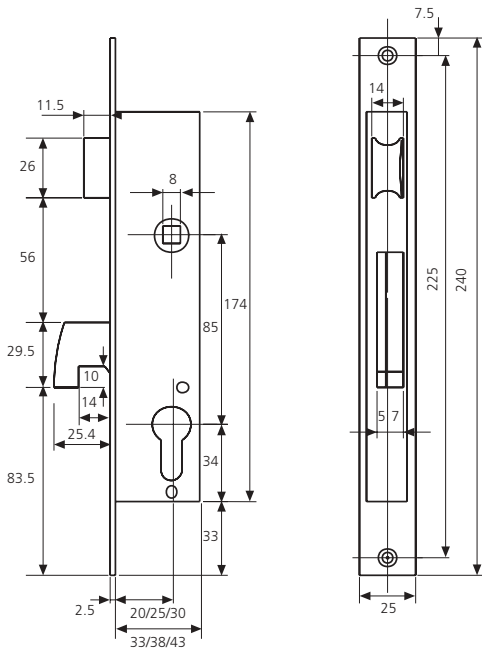
**4218**  
Double action Pass door.  
Roller only.

**4219**  
Entrance door.  
Key actuated latch.

## Swinging bolt series

**TESA**

4240 series



Swinging hook locks designed for entrance doors and all kinds of aluminium stiles.

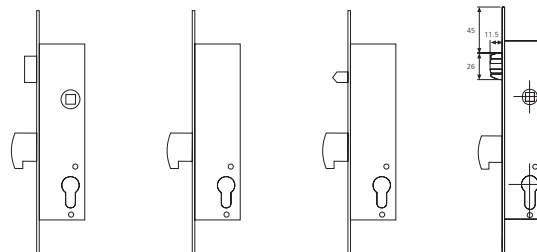
- Faceplate and strike plate made in AISI304 stainless steel.
- Solid steel hook bolt includes two tempered steel plates and reinforced swinging mechanism.
- Nickel plated latch is reversible and can be retracted by handle or key.
- Three backsets available: 20, 25 and 30mm. Backset is measured from the faceplate interior to the cylinder & follower centre-line.
- Distance between centres: 85mm.
- Four different functions available, see below.
- Two E-190 cylinder oval roses included. (E210 escutcheon can be ordered optionally).
- Also available Cross key cylinder version, (see page 8/ME).
- 4241C model is specially designed for sliding doors and possesses an anti-lever bolt.
- There is a complete range of special strikes for the existing types of aluminium stiles in the market. (See page 17/ME).



1/20 units



E190



4240

Entrance door.  
Latch+hook.

4241

Entrance door.  
Hook only.

4241C

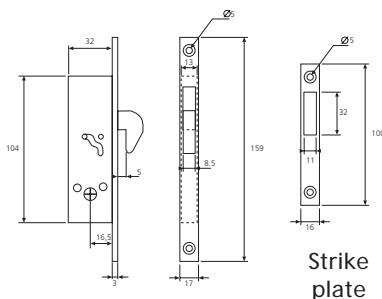
Entrance sliding  
door. Hook  
only.

4246

Double action  
entrance door.  
Roller + hook.

**TESA**

2270 series



Strike  
plate



1/20 units

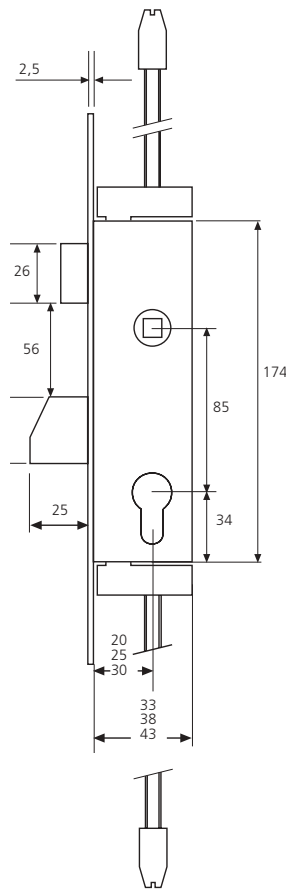
The multipurpose lock for sliding doors and windows.

- The hook is specially designed for sliding doors.
- Backset is 16,5 mm. Backset is measured from the faceplate interior to the cylinder & follower centre-line.
- Cross key type cylinder. Locks are supplied with three keys.
- Strike plate and a pair of key-guide plastic roses are standard equipment.
- Nickel plated faceplate, strike plate and hook.
- Painted steel lock case.

## Multipoint Security

**TESA**

4230 series

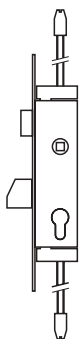


**Swinging bolt + Top jamb & floor locking points.**  
Suitable for all kinds of aluminium stiles.

- Faceplate and strike plates made in AISI304 stainless steel.
- Nickel plated steel bolt with reinforced swinging mechanism.
- Bolt throw is 25mm. and top-jamb&floor throw is 15mm.
- Nickel plated latch is reversible and can be retracted by handle or key.
- Three backsets available: 20, 25 and 30mm. Backset is measured from the faceplate interior to the cylinder & follower centre-line.
- Distance between centres: 85mm.
- Four different functions available, see below.
- Two threaded connecting rods for top-jamb and floor locking by means of M8 threaded bars. The M8 threaded bars are not supplied.
- Top jamb and floor locking zones can be reinforced with hardened steel locking bolts that have an inner thread to match the M8 bars: PAB2230. (Page 18/ME).
- Door installation can be enhanced by means of the GUARPOHC floor strike. (Page 18/ME).
- Two E-190 cylinder oval roses included. (E210 escutcheon can be ordered optionally).
- 4237 model is the ideal option for inactive leaf locking in double leaf doors.
- There is a complete range of special strikes for the existing types of aluminium stiles in the market. (See page 17/ME).



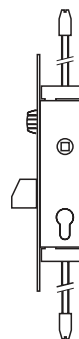
1/15 units



**4230**  
Entrance door.  
Latch+bolt.



**4231**  
Entrance door.  
Bolt only.



**4236**  
Double action entrance door.  
Roller + bolt.



**4237**  
Inactive doors.  
Top jamb & floor locking only.

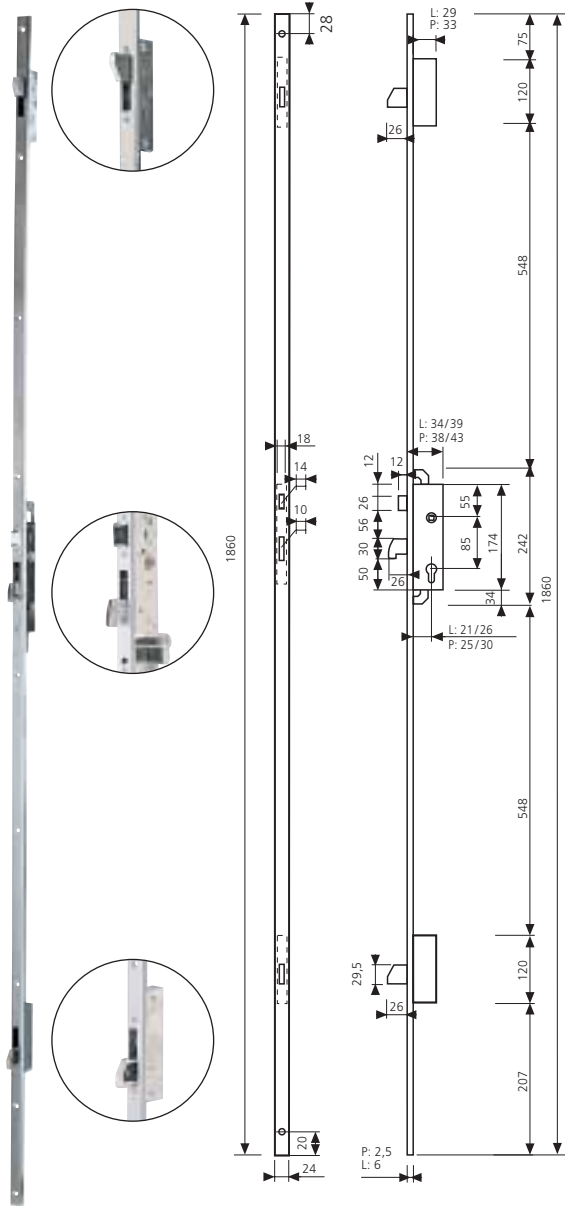


**E190**

## Multipoint Security

**TESA**

4230 L/P series



Multipoint security locks for all kinds of aluminium stiles.

- Faceplate and strike plates made in AISI304 stainless steel.
- Nickel plated steel bolts, main hook and latch.
- Nickel plated latch is reversible and can be retracted by handle or key.
- The hook in the main lock is built with two tempered steel plates and reinforced swinging mechanism.
- Model 4230L is designed for flat stiles. The connecting rods slide inside the U-profile faceplate.
- Backsets available for 4230L are 21 and 26mm.
- Model 4230P is designed for channelled stiles. The connecting rods slide inside the stile channel.
- Backsets available for 4230P are 25 and 30mm.
- Distance between centres: 85mm.
- Three different functions available, see below.
- Two E-190 cylinder oval roses included. (E210 escutcheon can be ordered optionally, see page 18/ME).
- There is also available a cross-key cylinder version, (see page 8/ME).
- There is a complete range of special strikes for the existing types of aluminium stiles in the market. (See page 17/ME).

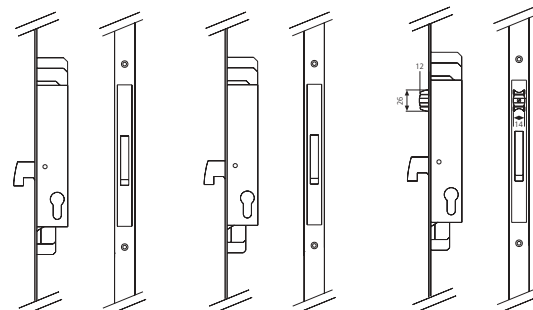
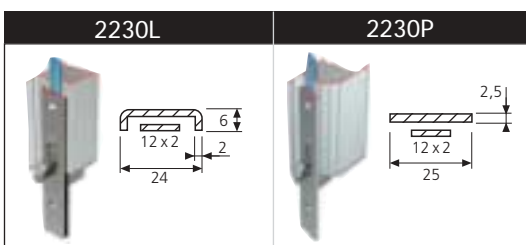


E190



Application in flat stiles

Application in channelled stiles



4230L/ P  
Entrance door.  
Latch+hook.

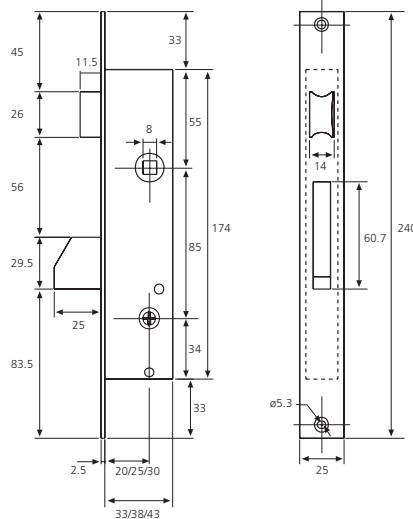
4231  
Entrance door.  
Hook only.

4236  
Double action  
entrance door.  
Roller + hook.

## Cross key cylinder locks

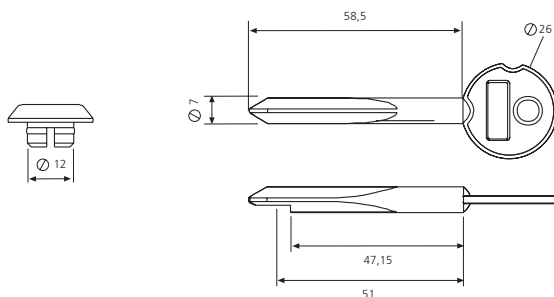
**TESA**

4210B, 4240, 4230 L/P CRI series



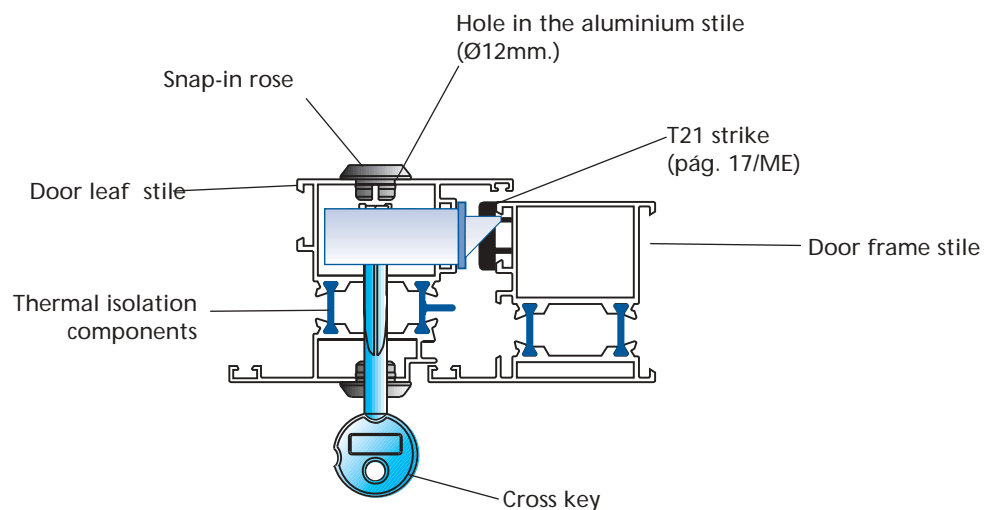
Swinging bolt locks suitable for all kinds of aluminium stiles.

- TESA offers a wide range of swinging mechanism locks equipped with cross-key cylinder: 4210B, 4240 and 4230L&P.
- The locks equipped with cross-key cylinders only require a  $\varnothing 12$ mm. circle for lock installation which is a great advantage in comparison with the European profile cylinders.
- The polyamide roses supplied are snap-in inserted into the hole in the aluminium stile.
- Another important advantage is that it is the key that reaches the lock inside the aluminium stile, so there is no necessity to chose the appropriate cylinder length.
- The locks are supplied with three keys, whose length allow them to perfectly fit the vast majority of aluminium stiles in the market.
- If there are exceptional cases where a different key length is required, key copies can be ordered to the specialist ironmongers and locksmiths.
- Locks equipped with cross-key cylinders are not suitable for masterkeying.
- There is always the option to order locks with the same key code.



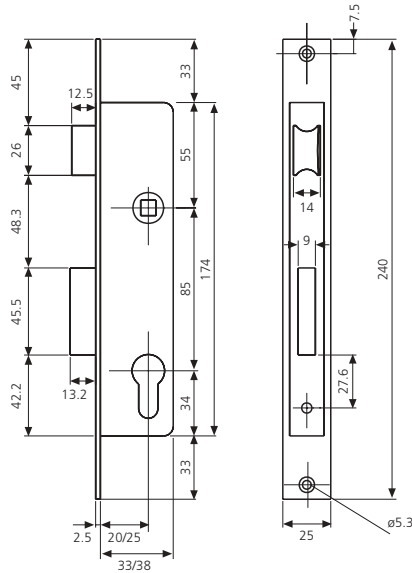
1/20 units (2210B, 2240)

1/4 units (2230 L/P)



## Sliding deadbolt

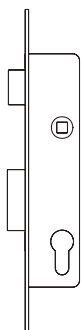
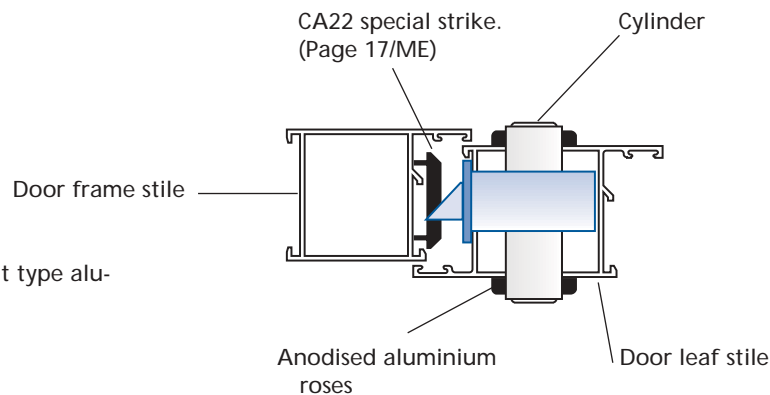
**TESA** 2210D series



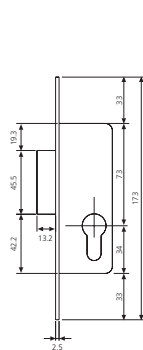
Mortise locks suitable for flat type aluminium stiles.

- Faceplate and strike plate made in AISI304 stainless steel.
- Nickel plated steel deadbolt.
- Nickel plated latch is reversible and can be retracted by handle or key.
- Two backsets available: 20 and 25mm. Backset is measured from the faceplate interior to the cylinder & follower centre-line.
- Distance between centres: 85mm.
- Cylinder cam is extra short (13,2mm. instead of 15mm.) to prevent interference with the stile bottom.
- Six different functions available, see below.
- Galvanised steel lock case.
- Two anodised aluminium roses included . (E190 or E210 escutcheons can be ordered optionally, see page 18/ME).
- The standard stainless steel strike is supplied with the lock and CA22 aluminium strikes are also available optionally. (See page 17/ME).

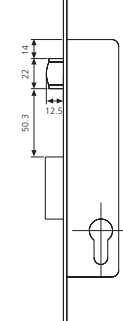
Application in flat type aluminium stiles.



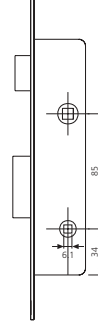
**4210**  
Entrance door.  
Latch+bolt.



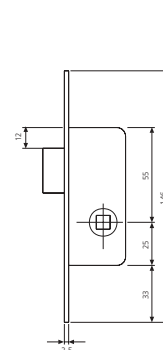
**4211**  
Entrance door.  
Bolt only.



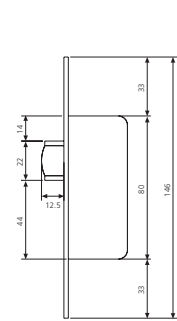
**4216**  
Double action  
entrance door.  
Roller + bolt.



**2214**  
Latch +  
thumbturn.



**2215**  
Pass door  
Latch only.



**4218**  
Double action  
Pass door.  
Roller only.

## Sliding deadbolt

**TESA**
2220 series

The ideal locks suitable for iron stiles. Stile depth required is only 23mm.

- Nickel plated faceplate, latchbolt, deadbolt and cylinder.
- Latchbolt is reversible.
- Oval cylinder cam has 10,7mm. radius to prevent interference with the stile bottom
- Backsets is only 11,5mm. Backset is measured from the faceplate interior to the cylinder & follower centre-line.
- Distance between centres: 70mm.
- Five different functions, see below.
- Strike and roses are not supplied.

1/20 units

**2220**  
Entrance door.

**2221**  
Entrance door.

**2226**  
Double action entrance door.

**2225**  
Passage.

**2228**  
Double action passage.

**TESA**
2200 series

The ideal locks suitable for iron stiles. Stile depth required is only 27mm.

- Galvanised faceplate plus an anodised aluminium faceplate supplement.
- Latchbolt, deadbolt and cylinder are nickel-plated.
- Latchbolt is reversible.
- Backset is only 13,5mm. Backset is measured from the faceplate interior to the cylinder & follower centre-line.
- Distance between centres: 65mm.
- Two anodised aluminium roses included
- Four different functions, see below.
- There is no strike plate supplied.

1/20 units

**2200**  
Entrance door

**2201**  
Entrance door

**2206**  
Double action

**2204**  
Latch + Thumbturn

10 / ME

## Panic locks



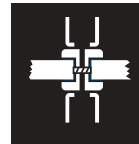
### Description of panic functions

- A complete range of panic locks for doors opening outwards.
- Lock hand must be indicated. See handing criteria below.
- The handle from the interior will always retract both latch and deadbolt.



#### Panic B:

- Split follower.
- The latch can not be retracted by key.
- They are installed with handle on both sides.



#### Access from the exterior is made in three steps:

1. Deadbolt is retracted with the key (One turn).
2. The key is turned an additional 1/4 turn.
3. Latch is retracted with the handle in the exterior.

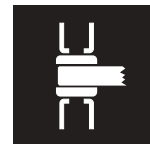
- If the key is extracted after the first step, the handle in the exterior will not retract the latch.
- Extracting the key after the second step leaves the entrance as a pass door.

#### Panic B applications:

- **Deadbolt locking:** Access denied, except for key owners.
- **Latchbolt locking:**
  - Controlled access with electric strike
  - Pass door

#### Panic C:

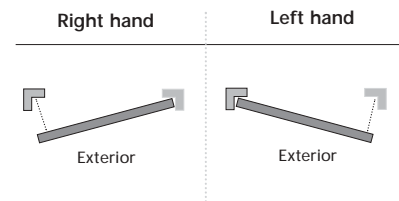
- Standard follower.
- The latch can be retracted by key.
- They are installed with handle on the interior and pull-knob on the exterior.



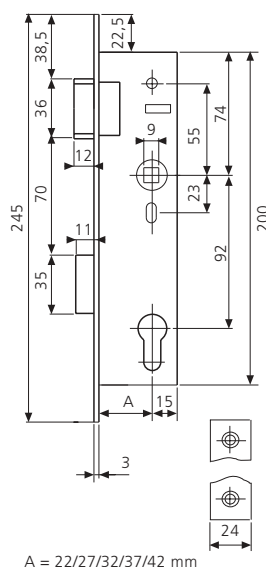
#### Panic C applications:

- **Deadbolt locking:** Access denied, except for key owners.
- **Latchbolt locking:**
  - Controlled access with electric strike

### Lock handing criteria

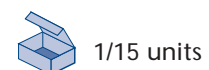


### 4280 series



#### Features

- Distance between centres is 92mm.
- Backsets available: 22, 27, 32, 37 and 42mm.
- Follower 9mm.
- Right or left hand must be indicated.
- Panic B and Panic C functions available.
- Optionally they can be ordered without panic function.
- Faceplate and strike-plate are stainless steel (AISI 304)
- Closed, galvanised steel lock case.
- 100% of parts manufactured with fire-resistant materials. Fire Certified according with DIN 18251.
- Designed to work with euro-profile cylinders.



## Panic locks

<p><b>TESA</b> 4282</p> <p><b>4282 lock features</b> Panic lock designed for the ACTIVE door in double leaf exit doors.</p> <ul style="list-style-type: none"> <li>• Panic B and Panic C functions available.</li> <li>• The faceplate is 400mm. long and possesses the trigger to release the automatic locking in 2283 counter-lock.</li> <li>• Designed to work with euro-profile cylinders.</li> </ul>	<p><b>TESA</b> 4283</p> <p><b>4283 counter lock features</b> Panic counter lock designed for the INACTIVE door in double leaf exit doors.</p> <ul style="list-style-type: none"> <li>• When the follower is turned from the interior, the top jamb &amp; floor locking points are retracted and, simultaneously, both latchbolt and deadbolt are pushed into the 2282 lock, thus letting free exit through the complete double leaf door.</li> </ul>
--	--

4282 lock assembly

4282 lock dimensions diagram

A = 22/ 27/ 32/ 37/ 42 mm.

4283 counter lock assembly

4283 counter lock dimensions diagram

A = 22/ 27/ 32/ 37/ 42 mm.

**Common features**

- Distance between centres is 92mm.
- Backsets available: 22, 27, 32, 37 and 42mm.
- Follower 9mm.
- Right or left hand must be indicated.
- Faceplate and strike-plate are stainless steel (AISI 304)
- Closed, galvanised steel lock case.
- 100% of parts manufactured with fire-resistant materials. Fire Certified according with DIN 18251.

**Way of working**

When the ACTIVE door shuts, the faceplate of the 4282 lock releases the trigger on the 4283 counter lock and this way top jamb & floor locking points are thrown, locking the INACTIVE door.

When the INACTIVE door is opened from the interior with the handle, the top jamb & floor locking points are retracted and, simultaneously, both latchbolt and deadbolt are pushed into the 4282 lock, thus letting free exit through the complete double leaf door.

TESA recommends to complete the double leaf installation with a Yale 4000 series closing system for double leaf doors, which feature automatic door co-ordination and comply to Fire door standards.  
(See GD2SC, GD2EM and GD2EMH systems in the Door Closer chapter, pages 13/CP to 15/CP.)

**Hand of double leaf door**

Right hand	Left hand

1/15 units

## Mortise electric strikes

**TESA** CER series electric strikes with adjustable latch keeper

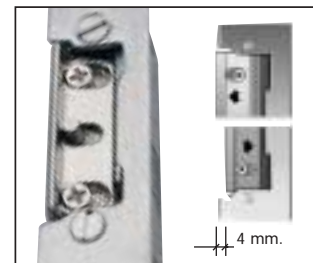
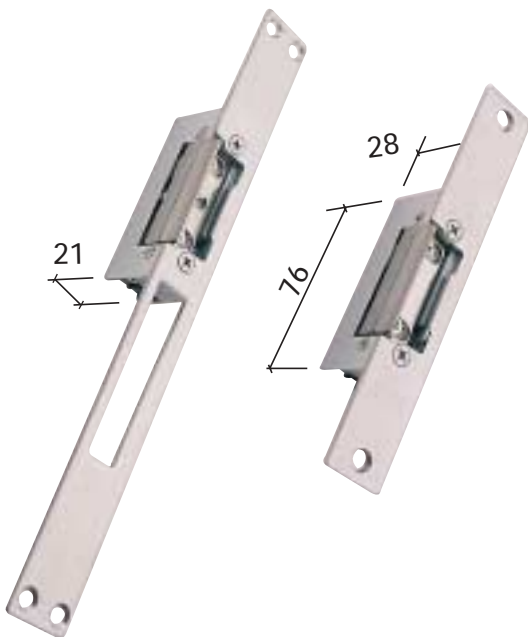
- Power source required: 12Volt. AC; 0.6 Amp.
- Non-Fail-Safe operation: Strike unlocks when energised. If a power failure occurs, the door remains locked.
- Strikes with special characteristics can be served upon request : Fail-Safe operation and DC power source (strike locks when energised) or other special power source specifications.
- All the range complies with European Electromagnetic Compatibility Standard (89 / 336 / CEE).



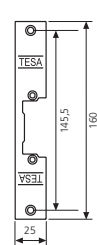
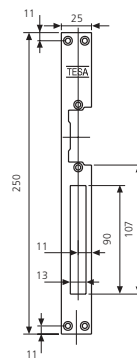
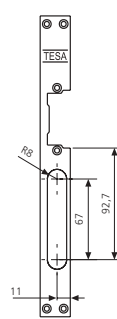
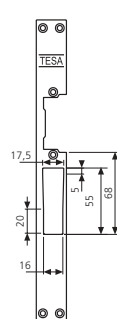
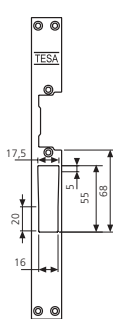
- Stainless steel faceplates (AISI 304).
- Short faceplate models are intended for use with latchbolt-only locks : 4219, 4239 and passage door locks.
- Long face plate models are intended for use with all the range of TESA locks featuring either sliding deadbolt, swinging deadbolt, roller-bolts or hook.
- Latch keeper in any model features horizontal adjustment for perfect latch fitting: a 4mm. play is allowed.



1/20 units



Horizontal latch-keeper play



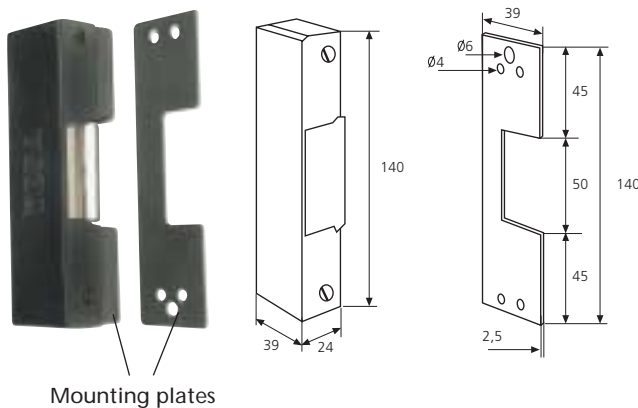
## APPLICATIONS CHART

FACEPLATE	TYPE OF LOCK	FINISH	SERIES OF APPLICATION
LCI	Sliding deadbolt	INOX	4220, 4200, 4210D, 4030, R200N, TLPN, TLPS
LCE	Sliding deadbolt	AE	4220, 4200, 4210D, 4030, R200N, TLPN, TLPS
LBI	Swinging deadbolt	INOX	4210B, 4230, 4230LB, 4230PB
LGI	Hook	INOX	4240, 4230L, 4230P
BUI	Roller bolts	INOX	R200B, R100B, TLB, T2B, TCB, CANB
BUE	Roller bolts	AE	R200B, R100B, TLB, T2B, TCB, CANB
CIN	Latch only	INOX	4219, 4039, 2500, 3500, 4000, 6500

## Electric strikes for rim panic devices



CELAUTPAN/ CELNORPAN



- Power source required: 12Volt. AC; 0.6 Amp.
- Non-Fail-Safe operation: Strike unlocks when energised. If a power failure occurs, the door remains locked.
- Strikes with special characteristics can be served upon request : Fail-Safe operation and DC power source (strike locks when energised) or other special power source specifications.
- All the range complies with European Electromagnetic Compatibility Standard (89 / 336 / CEE).
- STANDARD or AUTOMATIC functions available.
- Strikes are served with a set of 8 mounting plates with a 2mm. thickness and an additional 1mm. thickness plate to be able to fit the latch of the rim panic device.
- Designed to match all the TESA Rim Panic device range.
- The CELAUTPAN and CELNORPAN comply with the European Electromagnetic Compatibility Standard (89 / 336 / CEE).
- Stainless steel faceplates (AISI 304).



1/10 units

### Description of functions

NOR	STANDARD	The strike is unlocked WHILE it is being energised
NOD	STANDARD + MANUAL LEVER	Same as above including a manual lever to leave strike permanently unlocked
AUT	AUTOMATIC	The strike is left unlocked for one single opening after receiving an electric signal
AUD	AUTOMATIC + MANUAL LEVER	Same as above including a manual lever to leave strike permanently unlocked

## Special strikes



T21/ T30/ U29/ U30/ CA22

- The wide range of special polyamide electric strikes allows perfect fitting to the vast majority of aluminium stiles in the market.
- Their glass-fibre reinforced polyamide construction assures a smooth latch sliding and high durability.
- T21 model, which is manufactured in a metallic alloy for higher resistance, is

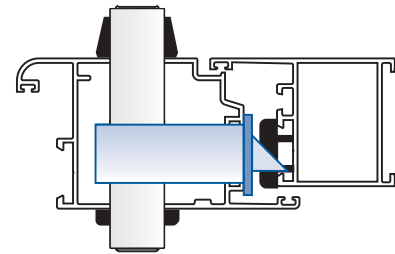
the perfect choice for channelled stiles. (See application picture below)

- The CA22 models are made in anodised aluminium and perfectly match the flat type stiles. (See application picture below)
- The SUPLE104 and SUPLE304 are face-plate supplements that are installed between the lock faceplate and the

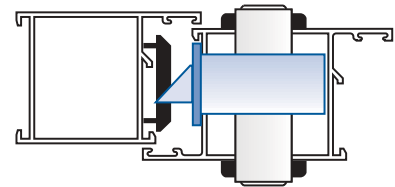
door stile and thus reduce the lock backset in 4mm. SUPLE104 fits 4210B and 4240 locks and SUPLE304 fits 4230 lock.



5/100 units (U29/ U30)  
10/200 units (rest of mods.)



Application of T21 in channelled stiles



Application of CA22 in flat stiles

	2210B	2211B	2230	2231	2230L 2230P	2231L	2231P	2230LB 2230PB	2240	2241
--	-------	-------	------	------	----------------	-------	-------	------------------	------	------

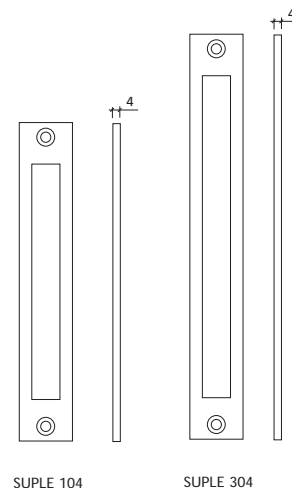
### Special strikes application chart

T21 105 10M	1	-	1	-	1	-	-	1	-	-
T21 105 11M	-	1	-	1	2	3	3	2	-	-
T30 105 10	1	-	1	-	-	-	-	1	-	-
T30 105 11	-	1	-	1	2	2	2	2	-	-
T30 105 40	-	-	-	-	1	-	-	-	1	-
T30 105 41	-	-	-	-	-	1	1	-	-	1
T30 085 10	1	-	1	-	-	-	-	-	-	-
U29 102 10	1	-	1	-	-	-	-	1	-	-
U29 102 11	-	1	-	1	2	2	2	2	-	-
U29 102 40	-	-	-	-	1	-	-	-	1	-
U29 102 41	-	-	-	-	-	1	1	-	-	1
U30 133 10	1	-	1	-	-	-	-	1	-	-
U30 133 11	-	1	-	1	2	2	2	2	-	-
U30 133 40	-	-	-	-	1	-	-	-	1	-
U30 133 41	-	-	-	-	-	1	1	-	-	1
SUPLE 104	1	1	-	-	-	-	-	-	1	1
SUPLE 304	-	-	1	1	-	-	-	-	-	-
CA2210D	Intended for use with 4210D sliding deadbolt series									
CA2210B	1	-	1	-	1	-	-	1	-	-
CA2211B	-	1	-	1	2	2	2	2	-	-
CA2240	-	-	-	-	1	1	1	-	1	-

1- One piece required

2- Two pieces required

3- Three pieces required



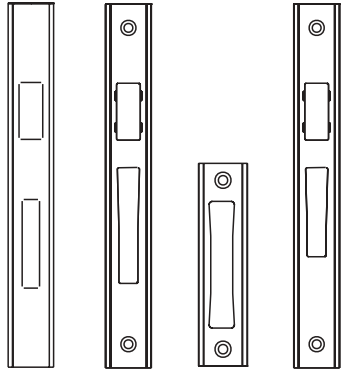
SUPLE 104

SUPLE 304

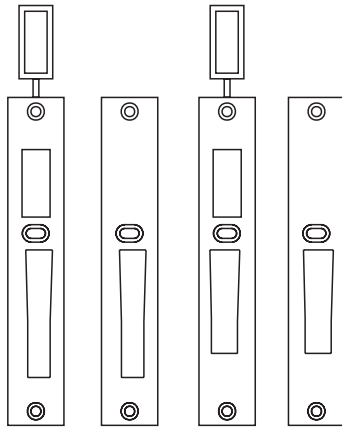
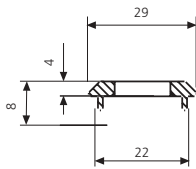
## Special strikes

**TESA**

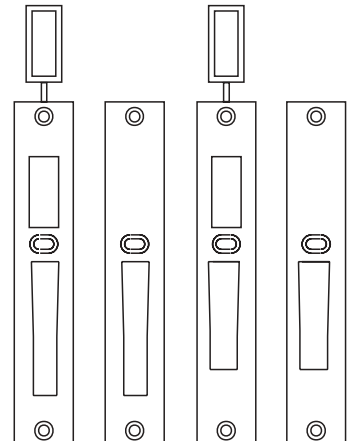
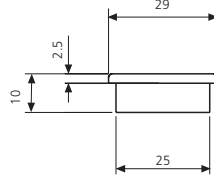
T21/ T30/ U29/ U30/ CA22



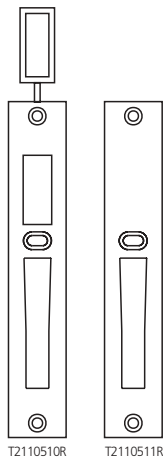
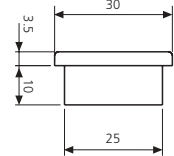
CA2210D CA2210B CA2211B CA2240



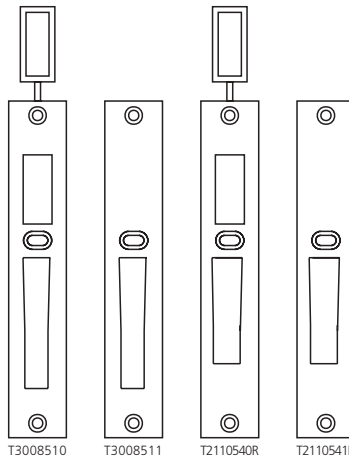
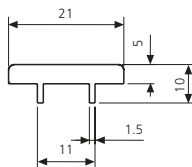
U2910210 U2910211 U2910240 U2910241



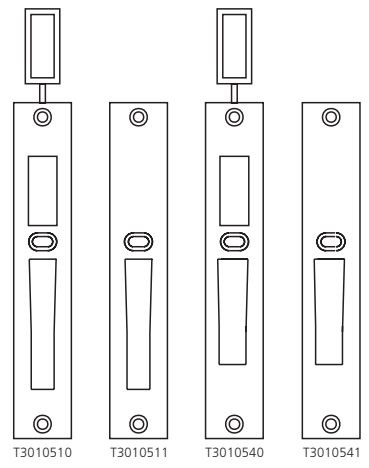
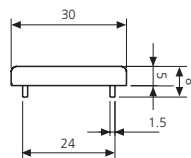
U3013310 U3013311 U3013340 U3013341



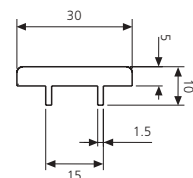
T2110510R T2110511R



T3008510 T3008511 T2110540R T2110541R



T3010510 T3010511 T3010540 T3010541



## Cylinder roses and accessories

**TESA**

*E210 Cylinder rose*



E210

- Anti extraction attack cylinder rose manufactured in metallic alloy.
- Nickel plated steel plate in the interior is hidden with a snap-in polyamide cover.
- Very easy installation with bolt through fixing with M5 screws.
- Finishes : Black, white, polished brass plating, satin chrome.



1/10 units

### Finishes



White



Black



Satin chrome



Pol. brass

**TESA**

*E190 & E191 Cylinder roses*



E190

E191

### E190 & E191

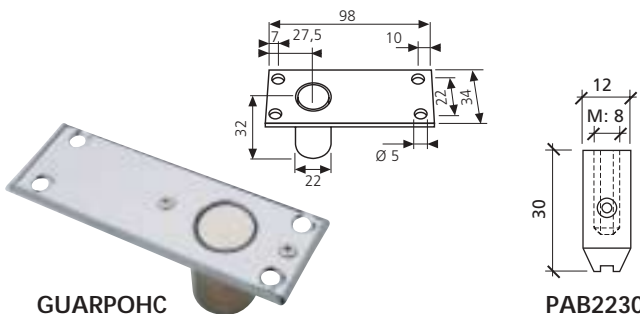
- Nickel plated steel plates are hidden with snap-in polyamide covers.
- Finishes : Black and white.



200 units

**TESA**

*Complements for 4230 locks : GUARPOHC & PAB2230*



GUARPOHC

PAB2230

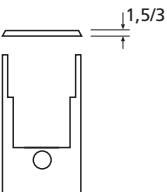
### GUARPOHC Floor strike

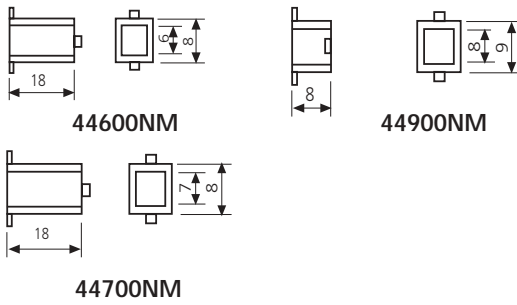
- Floor strike for bottom locking in 4230 series locks.
- It possesses a spring-loaded protective lid that prevents dust from getting into the strike hole.
- Nickel plated finish.




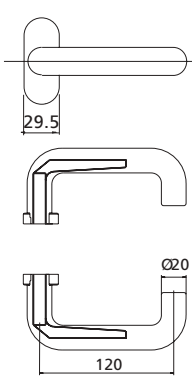
### PAB2230 Locking bolts

- Hardened steel top jamb & floor locking bolts. (Set of two units).
- M8 interior thread.

## Accessories

<b>TESA</b>	<i>Faceplate supplements</i>
	
<ul style="list-style-type: none"> <li>• Nickel plated steel plates used to reduce the lock back-set by either 1,5 or 3mm.</li> <li>• They are installed at both ends of faceplate, inserted between lock faceplate and door stile.</li> <li>• They fit any of the 4210, 4230 and 4240 locks.</li> </ul>	

<b>TESA</b>	<i>Follower reduction square sleeves</i>
	
<p>Zinc plated steel square sleeves.</p> <ul style="list-style-type: none"> <li>• 44700NM 7mm. spindle into 8mm. follower adaptation.</li> <li>• 44600NM 6mm. spindle into 8mm. follower adaptation.</li> <li>• 44900HH 8mm. spindle into 9mm. follower adaptation.</li> </ul>	

<b>TESA</b>	<i>Nylon handle sets for aluminium stile doors</i>
	
<p>MNRO800NE</p>	
	
<p>MNRO800BL</p>	
<ul style="list-style-type: none"> <li>• 8mm. spindle &amp; follower.</li> <li>• Nylon handles with galvanised steel reinforced core.</li> <li>• Nylon oval rose.</li> <li>• Direct fixing to door with tapping screws.</li> <li>• Designed for those ranging from 44 mm. to 66 mm. width.</li> <li>• Finishes: Black and white.</li> </ul>	
 1/12 units	
	





Talleres de Escoriaza, S.A. Barrio Ventas, 35 E-20305 Irun (Gipuzkoa)  
Tel.: +34 943 669100 Fax: +34 943 622189 Fax export: +34 943 633221 [www.tesa.es](http://www.tesa.es)